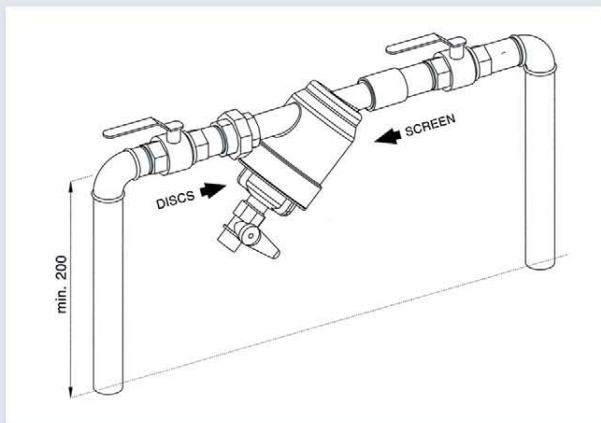
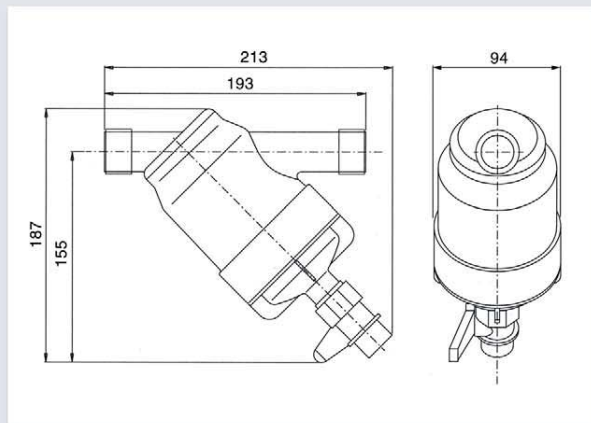


1"-S - 1 1/2"-S PLASTIC FILTERS FOR FLOW RATES UP TO 15 m³/h

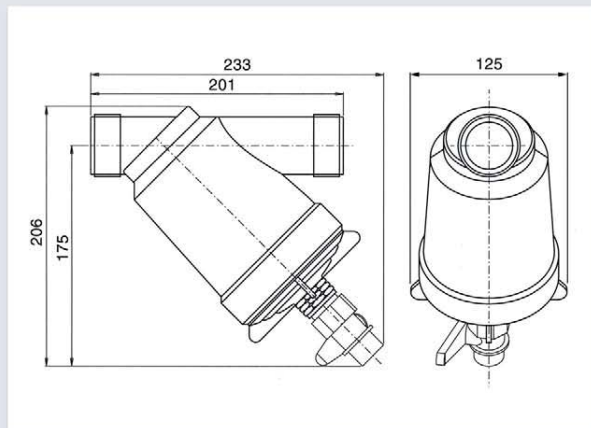
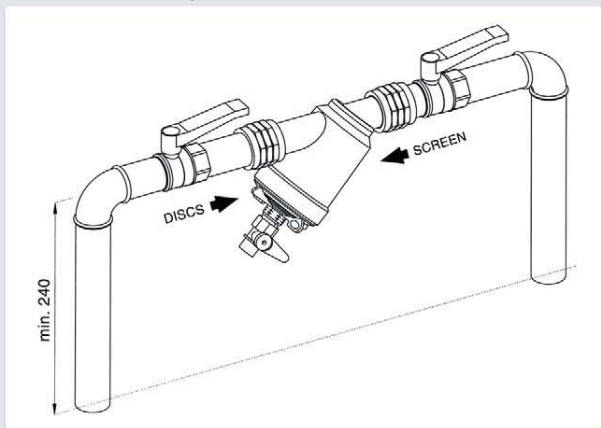
1"-S Suggested installations



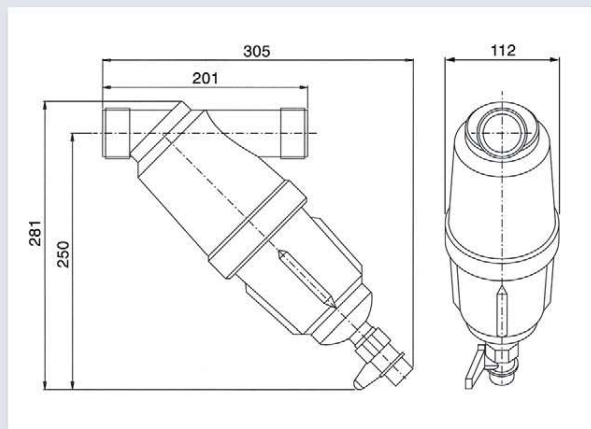
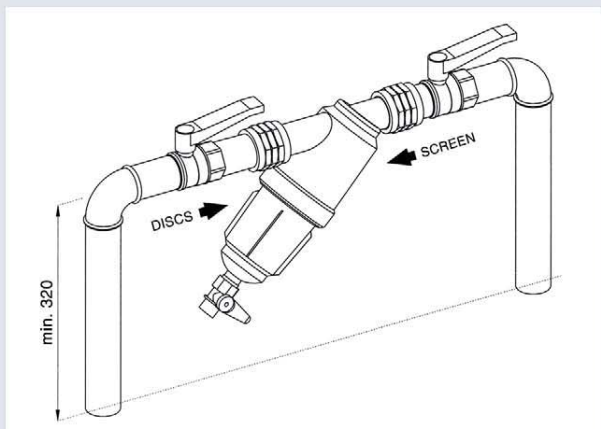
Dimensional drawings



1 1/2"-Compact



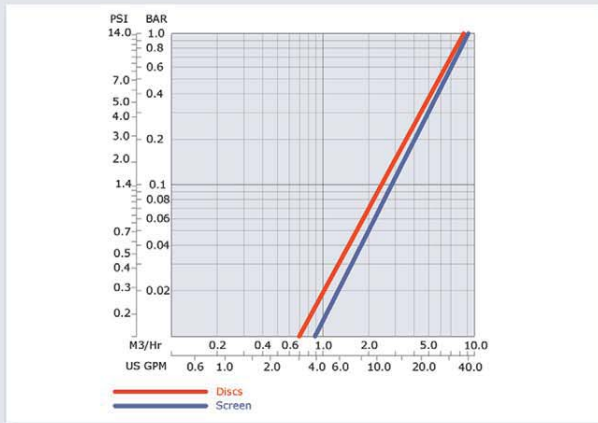
1 1/2"-Super



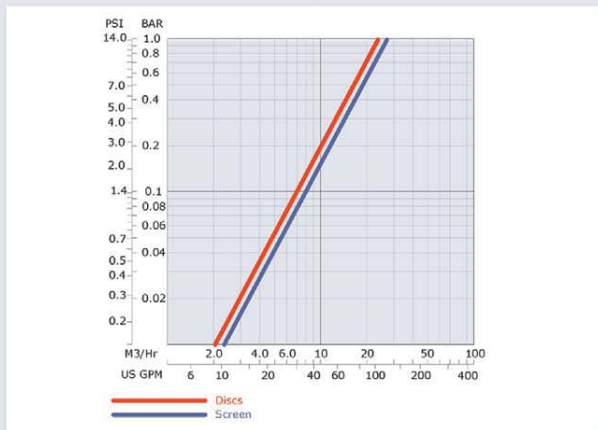
Technical specifications

Filter type	Inlet/Outlet Ø [mm; inch]	Maximum flow [m ³ /h]	Maximum pressure [bar]	Maximum temp. [°C]	Filter area [cm ²]		Weight [cm ²]	
					Screen	Discs	Screen	Discs
1"-Super	25 mm; 1"	7	10	60	170	200	0.52	0.63
1 1/2"-Compact	40 mm; 1 1/2"	15	10	60	170	200	0.76	0.86
1 1/2"-Super	40 mm; 1 1/2"	15	10	60	340	460	1.0	1.2

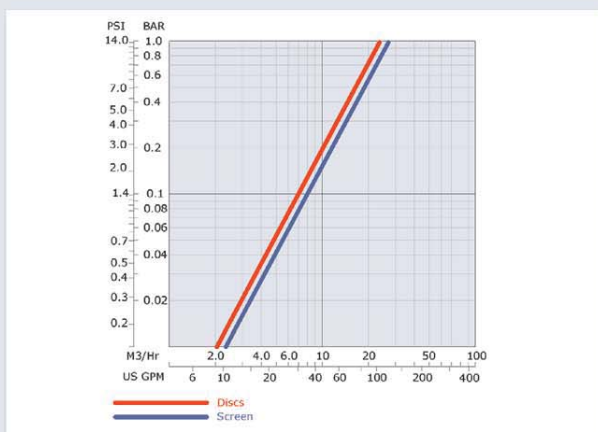
Pressure loss graphs



1"-Super



1 1/2"-Compact



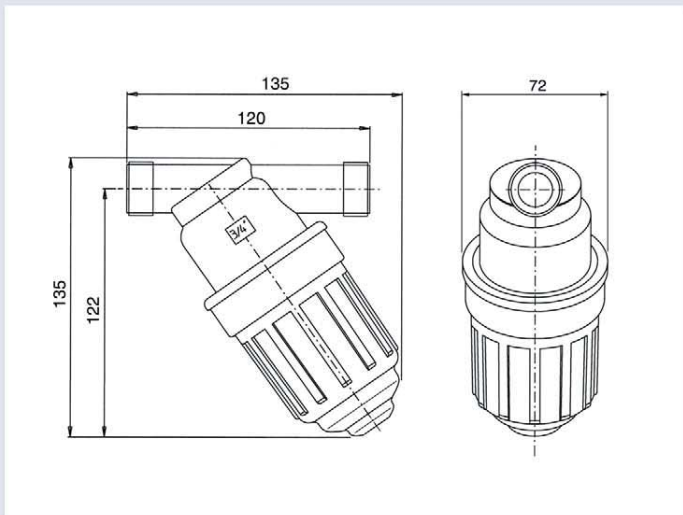
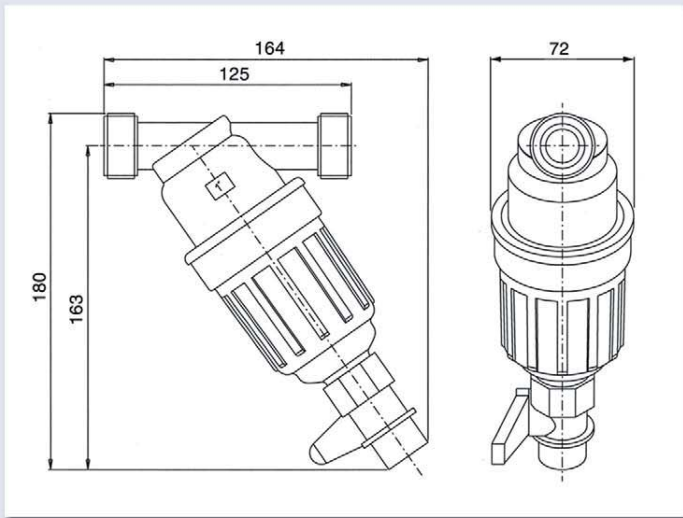
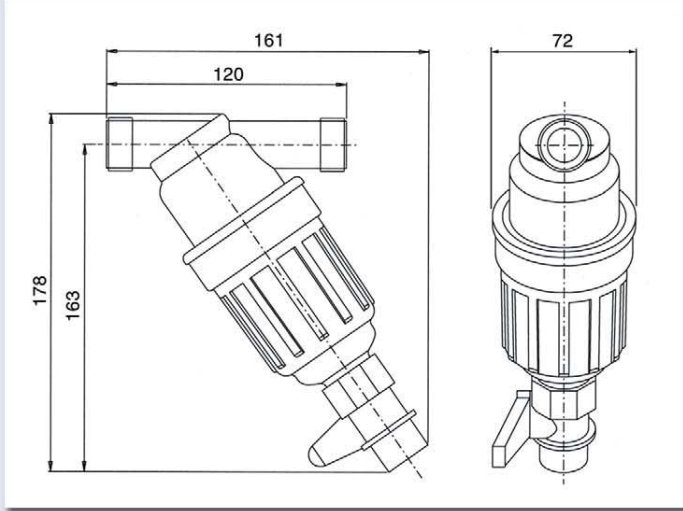
1 1/2"-Super

Construction materials

Housing & Lid		Polyacetal
Housing seal		NBR
Discs	Construction & Grooved discs	Polypropylene
	Seals	NBR
Screen	Construction	Polypropylene
	Mesh	St.St. or Polyester
	Seals	NBR

3/4" - 1"-C PLASTIC FILTERS FOR FLOW RATES UP TO 5 m³/h

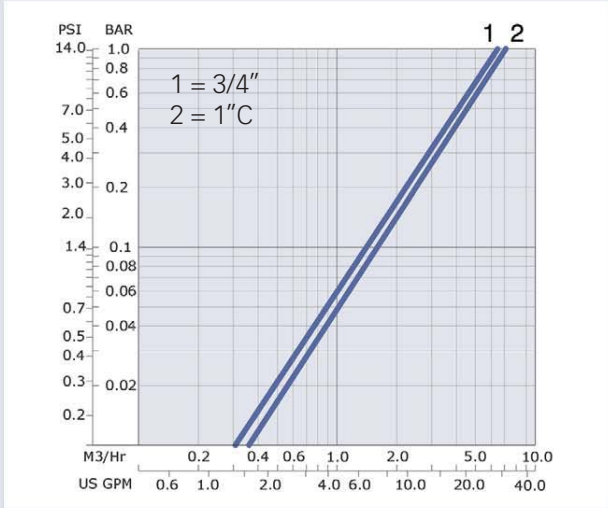
Dimensional drawings



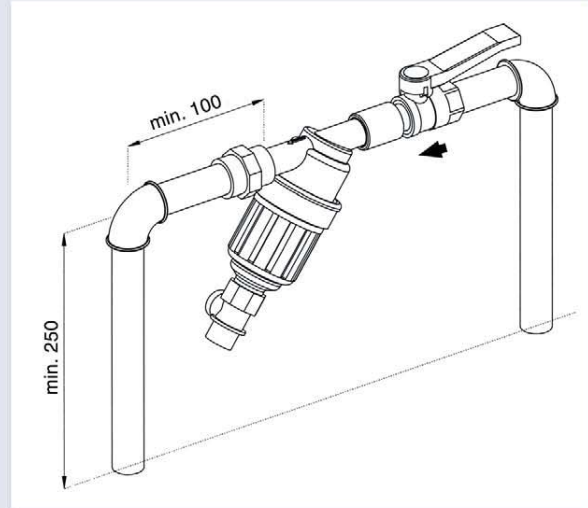
3/4", 1"-Compact w/o valve



Pressure loss graphs



Suggested installation



Chemical resistant filters

Amiad offers its 3/4" and 1"-Compact filters with chemical resistant materials. These filters are provided as standard with Amiad Fertigation equipment, and are resistant to all fertilizers and herbicides used in agriculture.

The filters are also suitable for use with chlorine. Please check with manufacturer for specifications.



Technical specifications

Filter type	Inlet/Outlet Ø [mm; inch]	Maximum flow [m ³ /h]	Maximum pressure [bar]	Maximum temp. [°C]	Filter area [cm ²]	Weight [cm ²]
3/4"	20 mm; 3/4"	3	10*	60	110	0.28
1"-Compact	25 mm; 1"	5	10*	60	110	0.30

*Chemical resistant filters are rated to 8 bar.

Construction materials

Filter type		3/4", 1" C	3/4", 1" C Chemical Resistant
Housing and Lid		Polyacetal	Polypropylene
Housing seal		NBR	Viton or NBR
Screen	Construction	Polypropylene	Polypropylene
	Mesh	St.St. or Polyester	St.St. or Polyester
	Seals	NBR	Viton or NBR